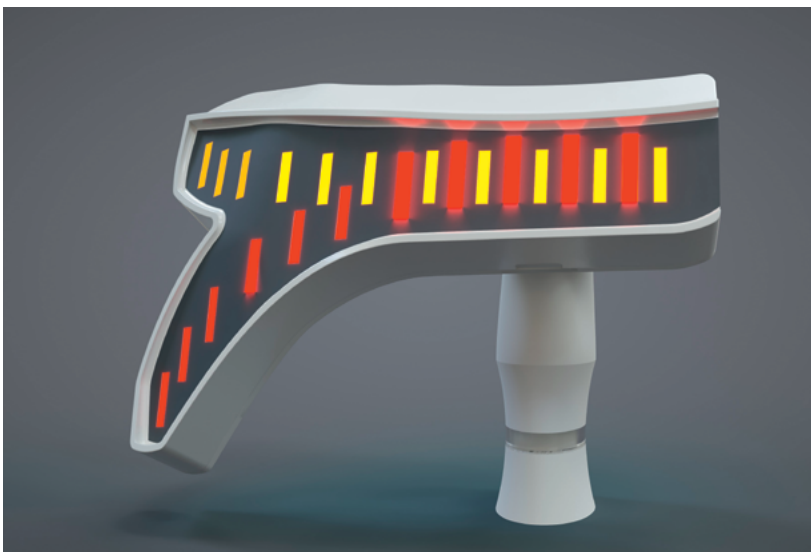




## LUXEON Versat 2020 and 3030

Versatile product family. Mix and match emitters to your styling needs. Enable maximized integration of functionalities.



**The new LUXEON Versat 2020 and 3030 product line enable increased styling flexibility by improved LED luminance.**

One of the benefits is to combine multiple applications in the same optical system. This saves real estate in the rear lamp. In this demonstrator we have “hidden” the stop, turn, rear fog and backup applications behind the tail function.

### FEATURES AND BENEFITS

---

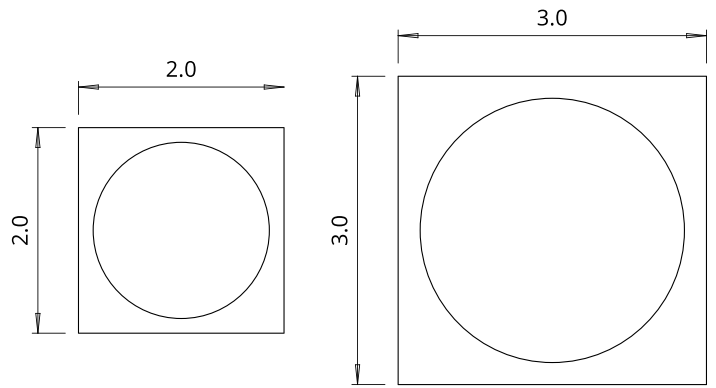
- High luminance; more light from a smaller area
  - Close spacing between emitters enabled by small footprint and tighter tolerance, allowing integration of functionality
  - Low Z height for less spacing requirement and improved optical efficiency with secondary optics (eg. lightguides)
  - Low  $R_{th}$  to enable less PCB area or improved efficiency
- 

### PRIMARY APPLICATIONS

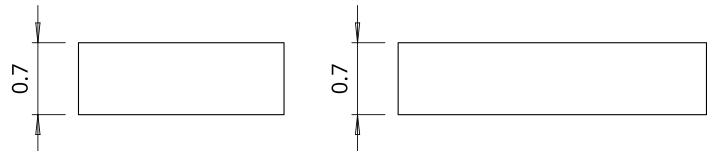
---

- Front turn, DRL, stop, tail, rear turn, rear fog
-

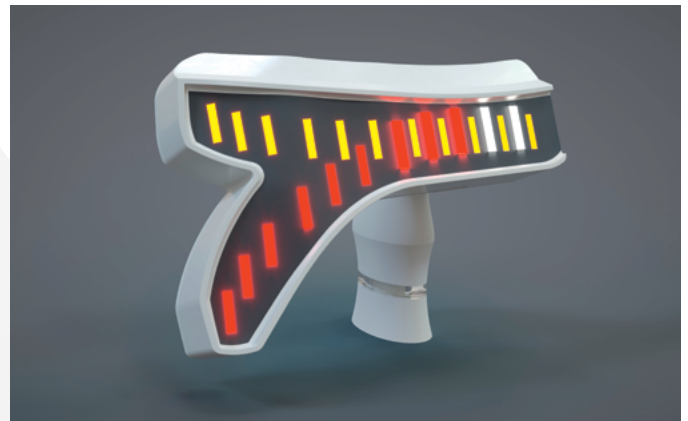
The new LUXEON Versat product lines have higher luminance due to smaller X and Y dimensions. The optical center is in the center of the package.



The new LUXEON Versat product lines have the same aligned Z height of 0.7 mm across both high and mid power products. This simplifies the matching of multiple colors and flux levels in the same optic.



Lit up appearance when in Tail mode.



All other functionalities are "hidden" behind the Tail function.

LUXEON Versat 2020 and 3030 will be available as a portfolio covering a wide range of colors and flux levels

LUXEON Versat 2020	Cool White	PC Amber	Direct Amber	Red Orange	Red	Super Red
20 mA	-	-	-	release 2019	release 2019	release 2019
50 mA	-	-	release 2019	release 2019	release 2019	release 2019
140 mA	release 2020	release 2020	release 2019	release 2019	release 2019	release 2019

LUXEON Versat 3030	Cool White	PC Amber	Direct Amber	Red Orange	Red	Super Red
150 mA	released	released	-	-	-	-
200 mA	-	-	-	released	released	released
350 mA	released	released	-	release 2018	release 2018	release 2018
700 mA	-	-	-	released	released	released

©2018 Lumileds Holding B.V. All rights reserved. LUXEON is a registered trademark of the Lumileds Holding B.V. in the United States and other countries.

[www.lumileds.com](http://www.lumileds.com)

Neither Lumileds Holding B.V. nor its affiliates shall be liable for any kind of loss of data or any other damages, direct, indirect or consequential, resulting from the use of the provided information and data. Although Lumileds Holding B.V. and/or its affiliates have attempted to provide the most accurate information and data, the materials and services information and data are provided "as is," and neither Lumileds Holding B.V. nor its affiliates warrants or guarantees the contents and correctness of the provided information and data. Lumileds Holding B.V. and its affiliates reserve the right to make changes without notice. You as user agree to this disclaimer and user agreement with the download or use of the provided materials, information and data.