



LUXEON Pro

Customizable modular solution for projection applications



LUXEON Go is successfully established in the worldwide automotive market as a modular, off-the-shelf solution for reflection applications.

The new LUXEON Pro product line leverages this proven technology for projection applications. This new series of light-source modules widens the range of applications and offers expanded customization options.

FEATURES AND BENEFITS

- Customizable light-source module design accommodating projection systems with reflector and transparent primary optics
 - Flexibility in LED array configuration to enable single- and dual-function systems
 - Optimized thermal performance through TopContact technology results in compactness and low weight
 - Off-the-shelf solution for projection applications shortens lead time to market and minimizes development effort
-

PRIMARY APPLICATIONS

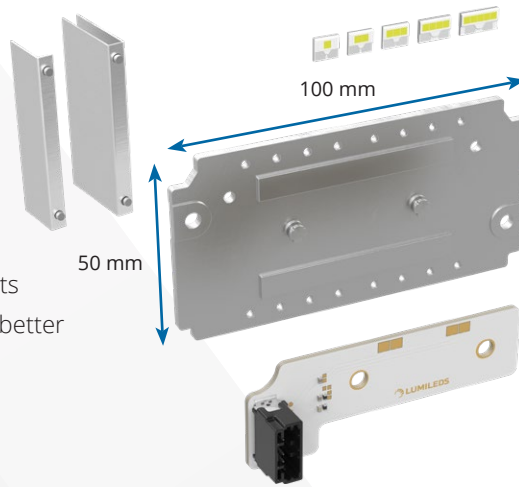
- Low beam (projection)
 - High beam (projection)
 - Bi-function low/high beam
 - 4W / 2W
-

Customizable modular solutions perfectly tailored to your individual system requirements

LUXEON Pro: One concept covering a wide range of applications

Heatsink

- Standard base plate: customer-specific design on request
- Customizable cooling fins (number and shape)
- Designs for active- or passive-cooling concepts
- Anodization option for better thermal performance



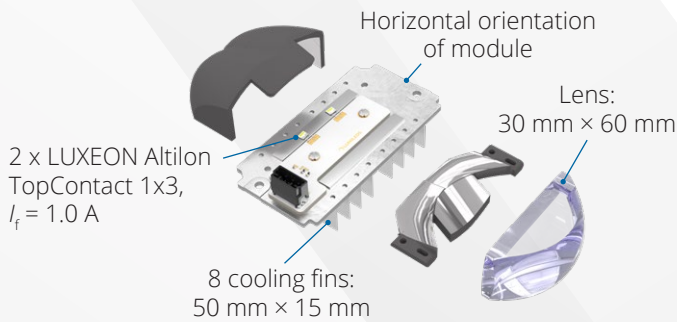
LED configuration

- TopContact LEDs with one to five chips
- One or two rows of LEDs
- Variable number of LEDs per row
- Variable distance between LEDs

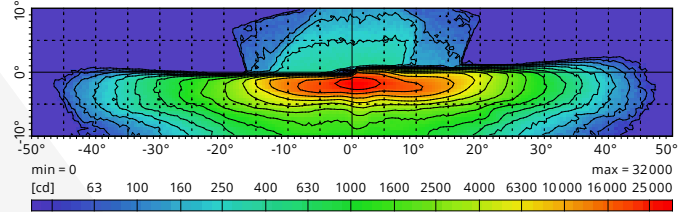
PCBA/electrical interface

- Any type of thermistor (NTC, PTC) and coding resistor possible to guarantee compatibility with LED driver
- Adaptable position and orientation of connector
- Default connector: UJU 020 D series (horizontal) – other connector types on request

Low-beam system with reflector primary

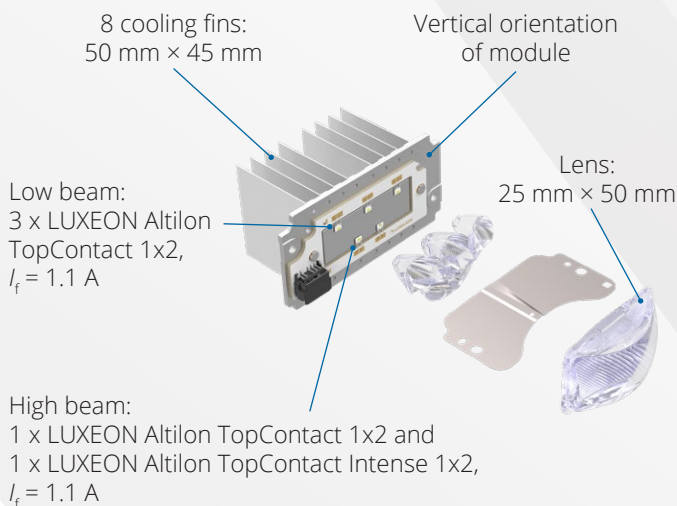


Optical performance

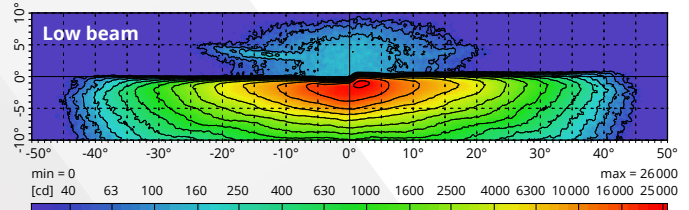


- Flux from LEDs at $T_a = 25\text{ °C}$: 2200 lm
- Flux in beam*: 930 lm, I_{max}^* : 32000 cd, width: $\pm 40^\circ$ @ 0.3 lx

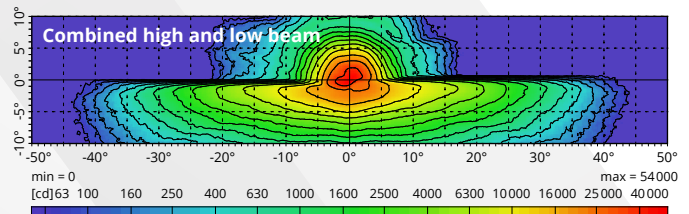
Bi-function system with TIR collimator primary



Optical performance



- Flux from LEDs at $T_a = 25\text{ °C}$: 2360 lm
- Flux in beam*: 868 lm, width: $\pm 40^\circ$ @ 0.3 lx



- Flux from LEDs at $T_a = 25\text{ °C}$: 3720 lm
- Flux in beam*: 1355 lm, I_{max}^* : 54200 cd

* including 15% losses at the cover glass

©2024 Lumileds Holding B.V. All rights reserved. LUXEON is a registered trademark of the Lumileds Holding B.V. in the United States and other countries.

lumileds.com



Neither Lumileds Holding B.V. nor its affiliates shall be liable for any kind of loss of data or any other damages, direct, indirect or consequential, resulting from the use of the provided information and data. Although Lumileds Holding B.V. and/or its affiliates have attempted to provide the most accurate information and data, the materials and services information and data are provided "as is", and neither Lumileds Holding B.V. nor its affiliates warrants or guarantees the contents and correctness of the provided information and data. Lumileds Holding B.V. and its affiliates reserve the right to make changes without notice. You as user agree to this disclaimer and user agreement with the download or use of the provided materials, information and data. A listing of Lumileds product/patent coverage may be accessed at lumileds.com/patents.